

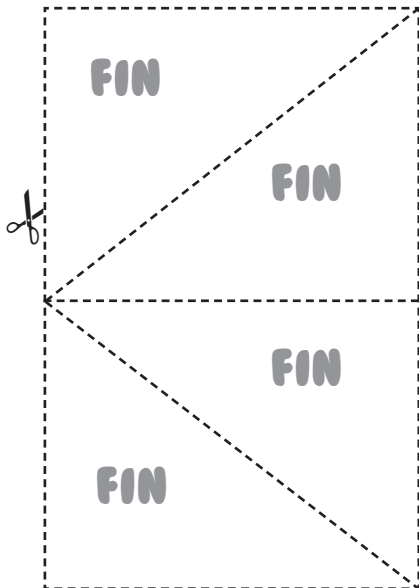
BUILD A BUBBLE-POWERED ROCKET!

adapted from <http://spaceplace.nasa.gov/pop-rocket>

1 ASK AN ADULT TO HELP!

2 GATHER MATERIALS

- Paper to make the rocket out of
- Plastic 33mm film canister with a cap that fits inside the rim
- Effervescent antacid tablet (like Alka-Seltzer®), broken in half
- Water
- Tape
- Scissors
- Eye protection (safety glasses, sunglasses, or eyeglasses)
- Towels for clean-up

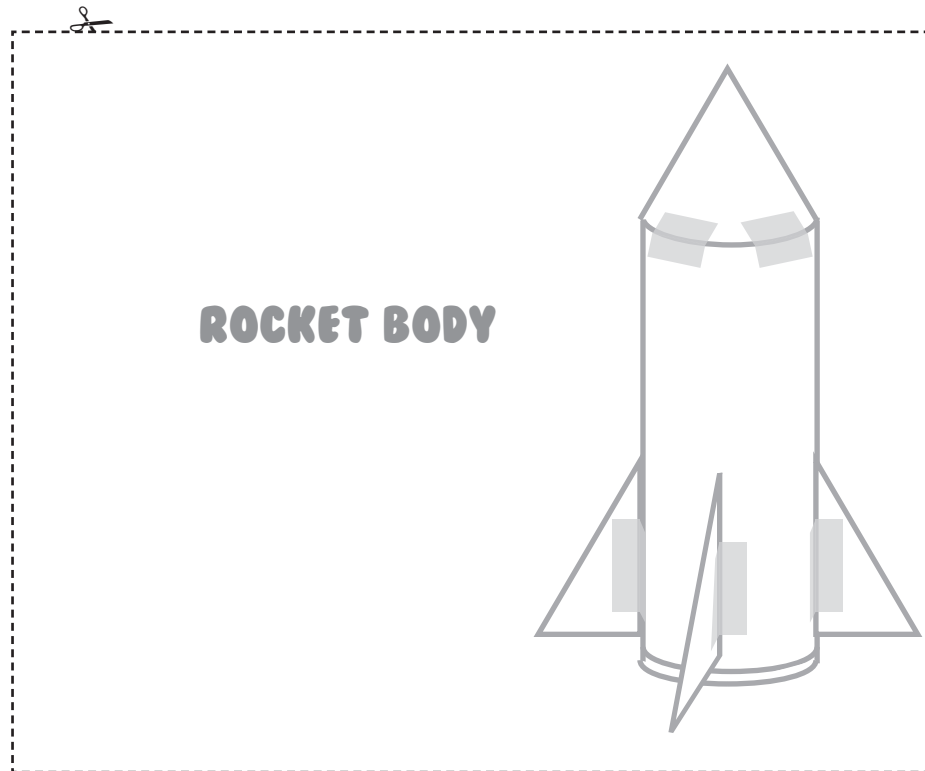


3 BUILD THE ROCKET

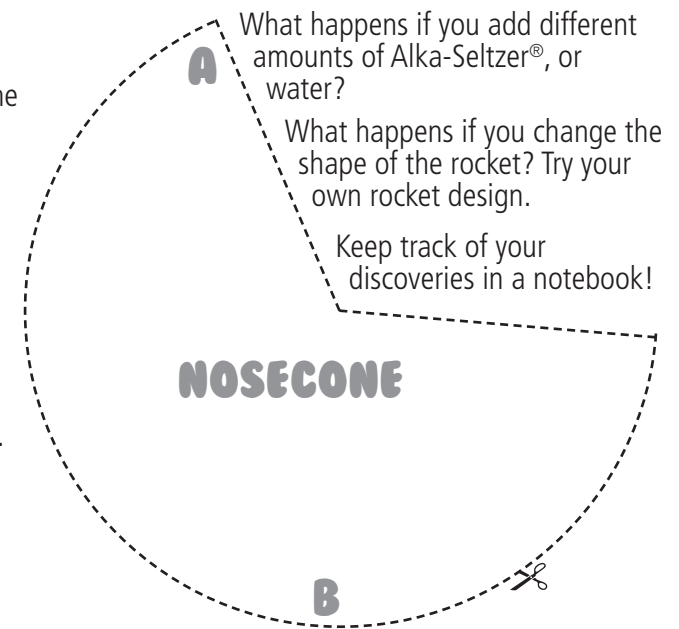
- Cut out a rocket body, nosecone, and optional fins.
- Tape one end of the rocket body to the film canister, then wrap it around the canister, keeping the body even with the lid end. Tape it in place.
- Make sure the lid end of the canister faces down.
- Tape fins to the rocket body, if you want to.
- Roll the circle with a wedge cut out into a nosecone (Tape point A over point B) and tape it to the rocket's top.

4 BLAST OFF (OUTDOORS!)

- Put on your eye protection. This step is important!
- Turn the rocket upside down and remove the canister's lid.
- Fill the canister about halfway with water.
- Working quickly, put the effervescent tablet piece into the canister, and snap the lid on tight.
- Set your rocket, lid side down, on a sidewalk or driveway.
- Stand back and wait. Your rocket will blast off!



5 EXPLORE



6 SHARE

- Share a photo or video of your rocket experiments at [youtube.com/cbcplkids](https://www.youtube.com/cbcplkids)
- Attend our next maker event and tell us about your experiment!

LIB LAB

PROJECT X
STEAM OUTREACH



Corvallis-Benton County
PUBLIC LIBRARY

www.cbcpl.net | 541-766-6794
645 NW Monroe Ave, Corvallis, OR